

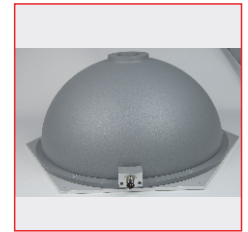
DOME-325

Dome light

- >> large-sized dome light
- >> extremely homogeneous, diffuse illumination
- >> optional segment control (4 or 8 channels)
- >> optional front cover for the LED structure
- >> for continuous, switched and pulsed operation (depending on type)



DOME-325



DOME-325

Technical specifications



Housing	Aluminium, high-quality plastic
Total weight	approx. 1810g
Operating / ambient temperature	max. 50°C recommended
IP protection class	depending on the version
Connector	M12 plug (5-pin) / 4-Channel-Operation: M12 plug (5-pin) / 8-Channel-Operation: M12 plug (17-pin) *
Supply voltage**	24VDC type or 12VDC type: 24VDC resp. 12VDC SC type: For use in conjunction with a controller
Number of LEDs	32
LED lifetime	The LED lifetime of our lights is very high, but depends on many different factors such as ambient temperature, current load, and so on. Further information is available in the Technical information LED lifetime .

* Cable not included in the scope of supply
** more information see section Operating modes

Characteristics

Colour *	LED characteristics		typical characteristics per light		
	Wavelength (approx.)	Viewing angle	Current demand (24V type) ** / constant current max. (SC type) [mA]	Pulse current max. (SC type) *** [mA]	Intensity **** [W/m ²]
red	635nm	120°			
white	6500K	120°			
IR	850nm	120°			

* other colours and types from UV to infrared on request
** stated current values of the 24V types should be considered approximate values
*** depending on the strobe conditions, recommended maximum values for a flash time of 1ms
**** approximately data measured in DC mode; Measuring distance 10mm below housing



Safety note!

LED light systems can produce very intense radiation, which may possibly damage the eyes on improper use. Do not look directly into the light beam with unprotected eyes! Use eye protection!

Operating modes

24VDC type / 12VDC type

The lights are designed depending on the version for continuous operation at 24VDC or 12VDC. The following operating modes are possible:

- DC operation at an appropriate power supply with 24VDC or 12VDC
- Switched operation with a matching power supply e.g. via PLC, opto-relay or controller (GS or SC series)
- Brightness-controlled operation via controller (GS or SC series) in conjunction with suitable power supply
- Pulsed mode via controller (GS or SC series) in conjunction with suitable power supply. The LED current can be increased in pulse mode up to a factor of 2 to 3.

SC type

For pulsed, switched or brightness-controlled operation, the lights are also available as optimized SC versions. They can be used in combination with our controllers of the GS and SC series and provide optimized and maximum current flow, especially in pulsed operation. We will assist you in selecting the right components.

technical changes reserved

Büchner Lichtsysteme GmbH

Uzstrasse 2 Tel.: +49 (0)8293 | 909 112 E-mail: info@buechner-lichtsysteme.de
86465 Welden Fax: +49 (0)8293 | 909 111 Web: www.buechner-lichtsysteme.de
Germany www.imaging-light-technology.com

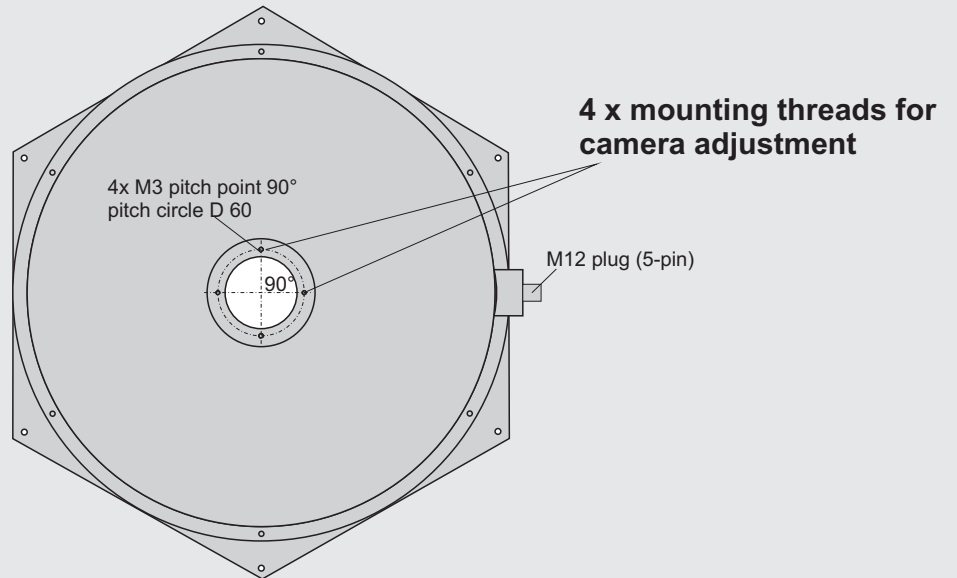


DOME-325

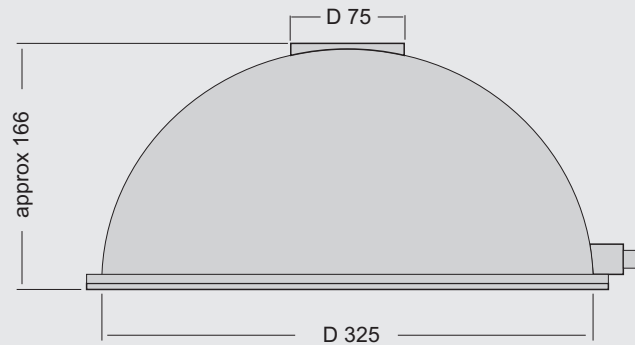
Dome light

Dimensions

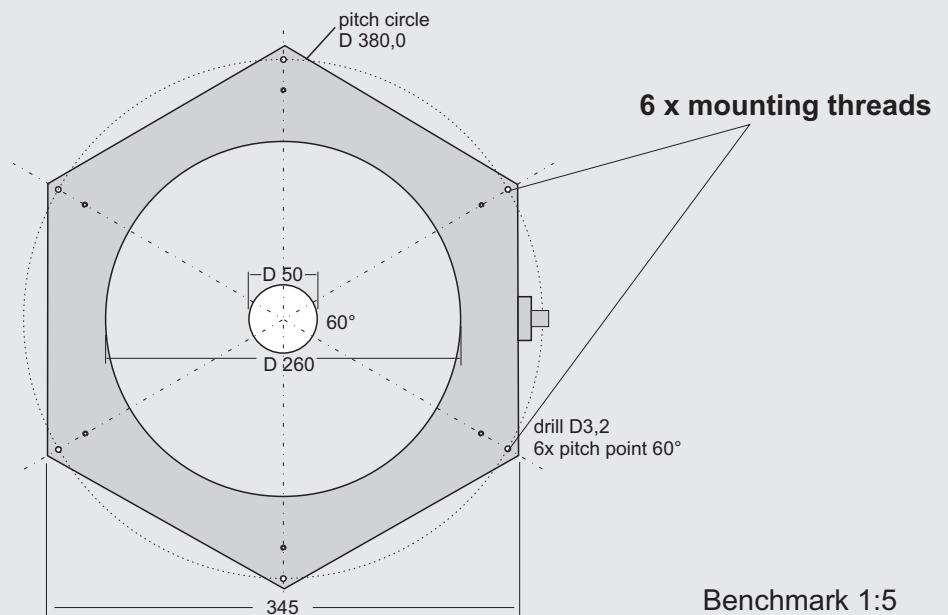
aerial view



profile



bottom view



technical changes reserved

Büchner Lichtsysteme GmbH

Uzstrasse 2
86465 Welden
Germany

Tel.: +49 (0)8293 | 909 112
Fax: +49 (0)8293 | 909 111

E-mail: info@buechner-lichtsysteme.de
Web: www.buechner-lichtsysteme.de

www.imaging-light-technology.com

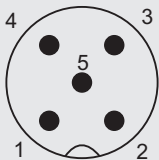
IMAGING LIGHT TECHNOLOGY
BÜCHNER

DOME-325

Dome light

PIN assignment connector

M12 plug 5-pin
(Front view on housing)



24VDC type

PIN	Colour	Function
1	brown	+ 24V
2	white	- Ch. 1
3	black	- Ch. 2
4	blue	- Ch. 3
5	gr/ye	- Ch. 4

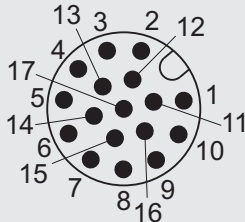
12VDC type

PIN	Colour	Function
1	white	+ 12V
2		- Ch. 1
3		- Ch. 2
4		- Ch. 3
5		- Ch. 4

SC type

PIN	Colour	Function
1	black	+ common
2		- Ch. 1
3		- Ch. 2
4		- Ch. 3
5		- Ch. 4

M12 plug 17-pin
(Front view on housing)



24VDC type

PIN	Colour	Function
17	white/grey	+ 24V
1	brown	- Ch. 1
2	blue	- Ch. 2
3	white	- Ch. 3
4	green	- Ch. 4
5	rose	- Ch. 5
6	yellow	- Ch. 6
7	black	- Ch. 7
8	grey	- Ch. 8

12VDC type

PIN	Colour	Function
		+ 12V
		- Ch. 1
		- Ch. 2
		- Ch. 3
		- Ch. 4
		- Ch. 5
		- Ch. 6
		- Ch. 7
		- Ch. 8

SC type

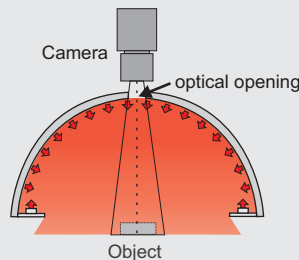
PIN	Colour	Function
		+ common
		- Ch. 1
		- Ch. 2
		- Ch. 3
		- Ch. 4
		- Ch. 5
		- Ch. 6
		- Ch. 7
		- Ch. 8

Application notes

Dome application

The optical opening for the camera is located symmetrically on the top of the dome and has a diameter of 14mm. Other diameters on request!

The DOME is typically positioned close to the object.



Options

The DOME-170 can optional be configured so that the LED ring can be controlled in 4 or 8 segments, which are all individually controllable. Therefore other connectors are used, dependent on the number of channels: M12 (5-pin) (1 channel), M12 (5-pin) (4 channels) or M12 (17-pin) (8 channels).