

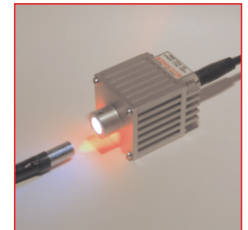
LIGHT-PIN Guide

Fiber-optic system

- >> high power
- >> easy mounting
- >> optimized thermal design
- >> version as 24VDC type with integrated current control and wide input range or as SC type
- >> for continuous, switched and pulsed operation (depending on type)



LIGHT-PIN Guide white



LIGHT-PIN Guide

Technical specifications



Housing	Aluminium, natural anodised
Total weight	approx. 75g (without fiber optic)
Operating / ambient temperature	max. 50°C recommended
IPprotection class	depending on the version
Connector	M8 plug (4-pin)*
Supply voltage**	24VDC type: 10 to 30VDC SC type: For use in conjunction with a controller
Number of LEDs	1 High-Power-LED
LED lifetime	The LED lifetime of our lights is very high, but depends on many different factors such as ambient temperature, current load, and so on. Further information is available in the Technical information LED lifetime .

* Cable not included in the scope of supply
** more information see section Operating modes

Characteristics

Colour *	LED characteristics		typical characteristics per light			
	Wavelength (approx.)	Viewing angle	Current demand (24V type) ** [mA]	Constant current max. (SC type) [mA]	Pulse current max. (SC type) *** [A]	Intensity **** [W/m ²]
red	625nm	90°	120	300	1,5	
white	6000K	140°	130	250	2,0	

* other colours and types from UV to infrared on request

** stated current values of the 24V types should be considered approximate values

*** depending on the strobe conditions, recommended maximum values for a flash time of 1ms

**** approximately data measured in DC mode directly on light emitting area



Safety note!

LED light systems can produce very intense radiation, which may possibly damage the eyes on improper use. Do not look directly into the light beam with unprotected eyes! Use eye protection!

Operating modes

24VDC type

The 24VDC type has an integrated current control with wide input range and is designed to operate at 10 to 30VDC.

The following operating modes are possible:

- DC operation at an appropriate power supply with 24VDC
- Switched operation with a matching power supply e.g. via PLC, opto-relay or controller (GS or SC series)

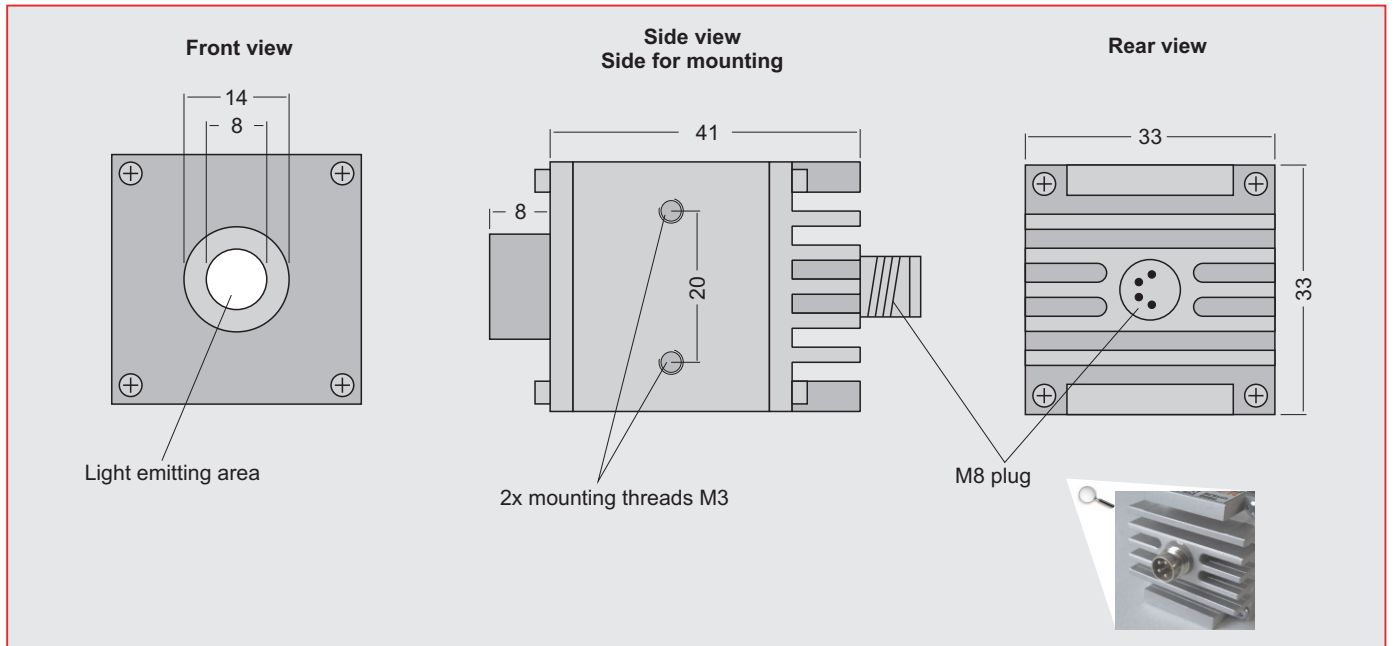
SC type

For pulsed, switched or brightness-controlled operation, the lights are also available as optimized SC versions. They can be used in combination with our controllers of the GS and SC series and provide optimized and maximum current flow, especially in pulsed operation. We will assist you in selecting the right components.

LIGHT-PIN Guide

Fiber-optic system

Dimensions



PIN assignment connector

M8 plug 4-pin (Front view on housing)

24VDC type

PIN	Colour	Function
1	brown	+ (10-30V)
3	blue	-

SC type

PIN	Colour	Function
4	black	+
3	blue	-

Accessories

Fiber optics
Different lengths and versions available on request.