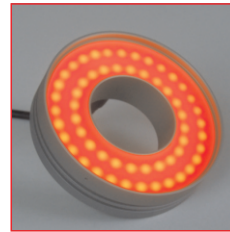


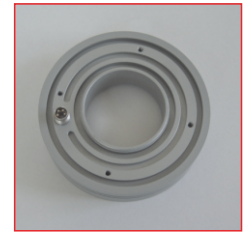
RONDO-MX

Ring light

- >> extremely versatile
- >> compact housing
- >> optional high IP protection
- >> optional ring separately controllable
- >> many mounting possibilities
- >> for continuous, switched and pulsed operation
(depending on type)



RONDO-MX red



RONDO-MX housing with integrated cooling ribs

Technical specifications



Housing	Aluminium, natural anodised
Filterthread-connection	M43 x 0,75
Front cover (within the scope of supply)*	Acrylic clear, antireflective coating 3mm resp. clear, 3mm (for UV versions)
Total weight	approx. 135g
Operating / ambient temperature	max. 50°C recommended
IP protection class	depending on the version
Connector	M8 plug (4-pin)**
Supply voltage***	24VDC type or 12VDC type: 24VDC resp. 12VDC SC type: For use in conjunction with a controller
Number of LEDs	56
LED lifetime	The LED lifetime of our lights is very high, but depends on many different factors such as ambient temperature, current load, and so on. Further information is available in the Technical information LED lifetime .

* more information and further front covers see section Accessories

** Cable not included in the scope of supply

*** more information see section Operating modes

Characteristics

Colour *	LED characteristics		typical characteristics per light		
	Wavelength (approx.)	Viewing angle	Current demand (24V type) ** / constant current max. (SC type) [mA]	Pulse current max. (SC type) *** [A]	Intensity **** [W/m ²]
red	617nm	30°	180	0,7	45
red	617nm	60°	180	0,7	30
red	635nm	120°	195	0,7	14
white	6500K	120°	205	0,7	9
SH white	6500K	120°		4,2	
IR	850nm	30°	190	2,8	44
IR	850nm	50°	190	2,8	
IR	850nm	120°	190	2,8	7
blue	470nm	20°		1,1	
UV	375nm	120°			

* other colours and types from UV to infrared on request

** stated current values of the 24V types should be considered approximate values

*** depending on the strobe conditions, recommended maximum values for a flash time of 1ms

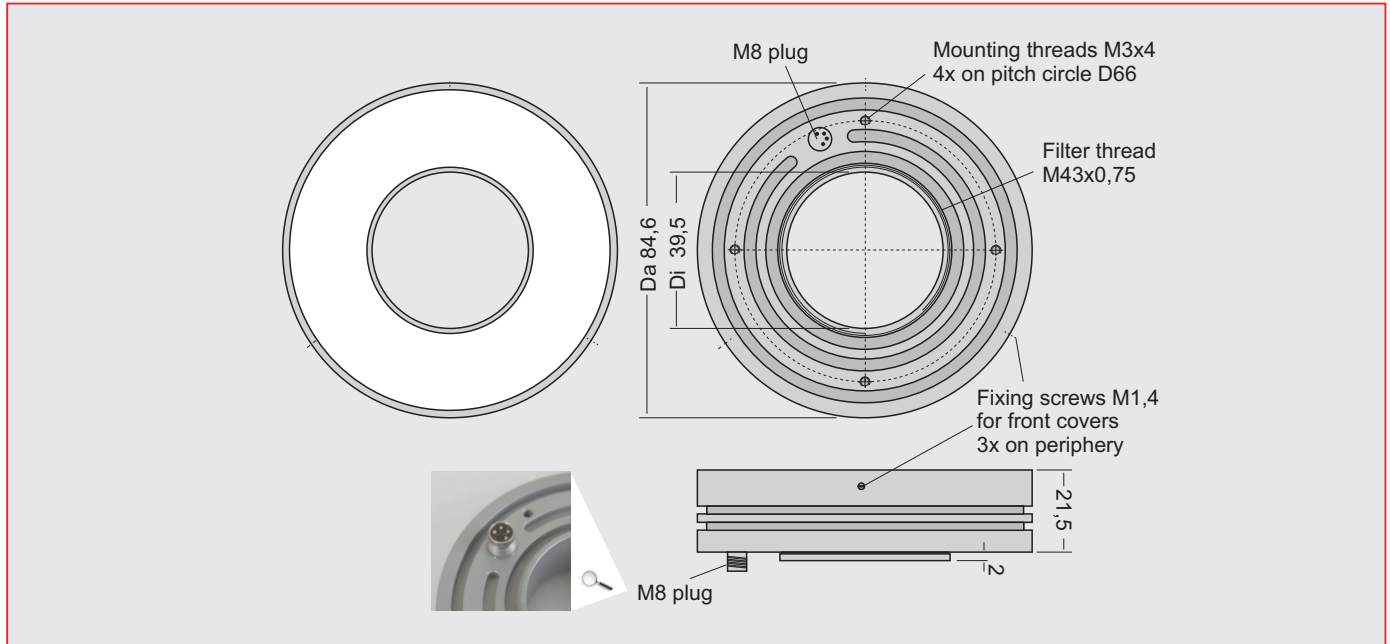
**** approximately data measured in DC mode; Measuring distance 150mm



Safety note!

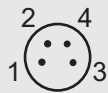
LED light systems can produce very intense radiation, which may possibly damage the eyes on improper use. Do not look directly into the light beam with unprotected eyes! Use eye protection!

Dimensions



PIN assignment connector

M8 plug 4-pin
(Front view on housing)



24VDC type

PIN	Colour	Function
1	brown	+ 24V
3	blue	- (Ch. 1)
(4)	(black)	(- Ch. 2)

12VDC type

PIN	Colour	Function
2	white	+ 12V
3	blue	- (Ch. 1)
(4)	(black)	(- Ch. 2)

SC type

PIN	Colour	Function
4	black	+
3	blue	- (Ch. 1)
(2)	(white)	(- Ch. 2)

Operating modes

24VDC type / 12VDC type

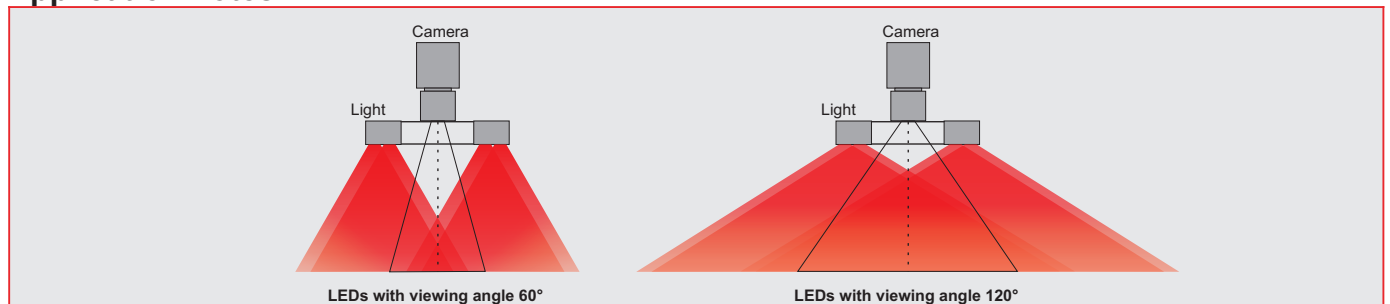
The lights are designed depending on the version for continuous operation at 24VDC or 12VDC. The following operating modes are possible:

- DC operation at an appropriate power supply with 24VDC or 12VDC
- Switched operation with a matching power supply e.g. via PLC, opto-relay or controller (GS or SC series)
- Brightness-controlled operation via controller (GS or SC series) in conjunction with suitable power supply
- Pulsed mode via controller (GS or SC series) in conjunction with suitable power supply. The LED current can be increased in pulse mode up to a factor of 2 to 3.

SC type

For pulsed, switched or brightness-controlled operation, the lights are also available as optimized SC versions. They can be used in combination with our controllers of the GS and SC series and provide optimized and maximum current flow, especially in pulsed operation. We will assist you in selecting the right components.

Application notes



technical changes reserved

Büchner Lichtsysteme GmbH

Uzstrasse 2
86465 Welden
Germany

Tel.: +49 (0)8293 | 909 112
Fax: +49 (0)8293 | 909 111

E-mail: info@buechner-lichtsysteme.de
Web: www.buechner-lichtsysteme.de

www.imaging-light-technology.com

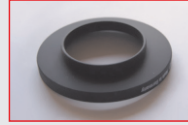
Accessories



Front covers / diffusers

Through the use of different diffuse front covers, the optical characteristics of the illumination can be changed.

More information can be found in the **Technical information Front materials**.



Adapter rings

for the coupling of the connection thread M43x0,75 of the RONDO-MX to other threads.

Order numbers on request.



Clamping ring

for clamping the RONDO-MX on lenses